



The Clear Choice
Water Filtration Systems

www.aquafilter.com

H105 series

10" In-line filter housing
for hot water

PRODUCT FEATURES

BRASS INSERTS

Available with 1/2" or 3/4" brass inserts

LEAK PROOF

Two O-rings to provide superior sealing with greater security to ensure maximum leak proof performance

SPECIALLY ENGINEERED

Designed to withstand temperatures of 80°C or 199.4°F

BRASS EXTENSION FOR PRESSURE GAUGE

For easy pressure release a valve is located in the filter housing to easily install and view pressure gauge

PRESSURE RELEASE VALVE

Molded in brass insert for pressure release valve or optional hot water pressure gauge



**OPTIONAL HOT
WATER PRESSURE
GAUGE**

PRODUCT APPLICATIONS

1. Domestic installation
2. Pre-filtration system
3. Food industry
4. Hot water applications
5. Industry laboratories
6. High pressure applications

Part number	Size
FHHOT12-WB	1/2"
FHHOT34-WB	3/4"

PRODUCT PACKAGING



Set includes

1. Housing for 10" filter
2. Filter Head 1/2" or 3/4"
3. Wrench
4. Mounting bracket with screws
5. Instruction
6. Two O-Rings
7. Color box
H330 x L132 x W132 mm

TWO O-RINGS



* Optional

ACCESSORIES



AQF-PRV-3-SCREW
Pressure relief valve



FXWR1-BL
Wrench



Pressure gauge
for hot water



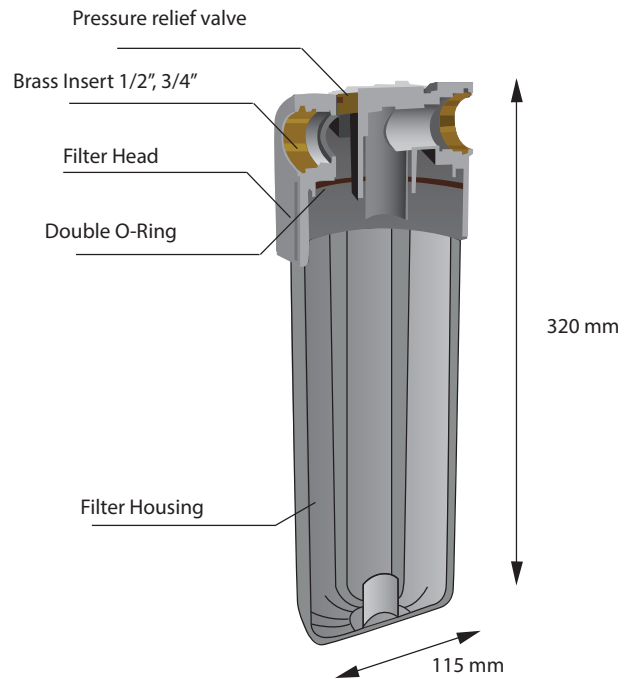
KCGA-1-E2
Pressure gauge
extension for hot
water



OR-H10-1
O-rings
for the filter head
H10B, H10C, H10K,
H105 series

PRODUCT SPECIFICATIONS

Housing: Reinforced High Tension Strength Homopolymer
 Cap: Reinforced High Tension Strength Homopolymer
 Inserts: brass
 Pressure relief valve: brass
 O-ring: NBR
 Number of O-rings: 2
 Thread: 1/2", 3/4"
 Operating Pressure: 6 bar (90 psi)
 Minimum Temperature: 2°C (35°F)
 Maximum Temperature: 80°C (199,4°F)
 Dimensions (H x OD): 320 mm x 115 mm
 Dimension with bracket height: 358 mm
 Cartridge dimensions: Standard 9 7/8" x 2 1/2"

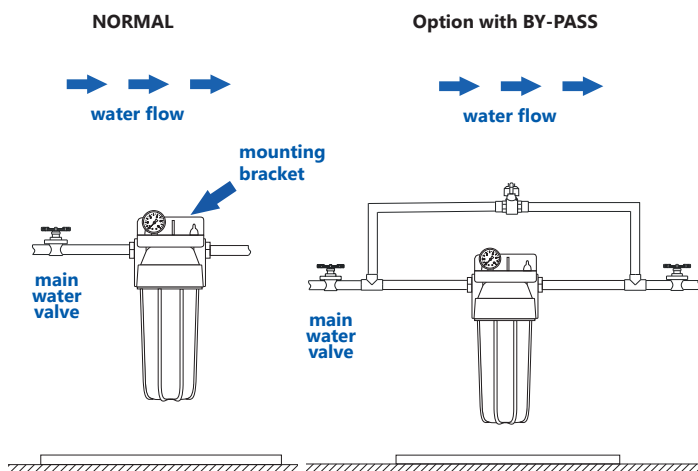


PRODUCT INSTALLATION

The H105Series housings can be mounted individually or connected in a series in - line on the main water supply pipe or before expensive commercial equipment to prevent them from being damaged.



PRESSURE RELIEF VALVE



WARNING!
To seal threaded connection use only Teflon tape. Do not use it with cone-shape (tapered) connection type

